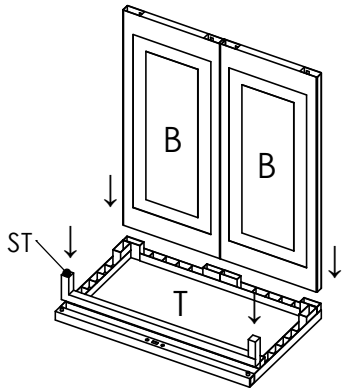
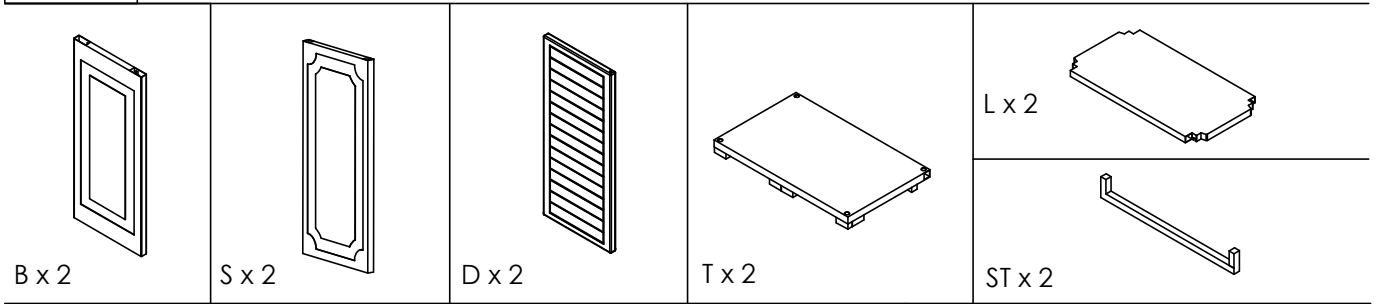


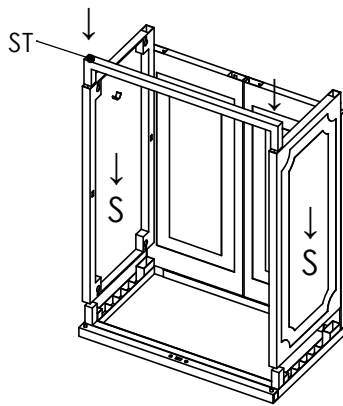


SPS-23 ASSEMBLY INSTRUCTIONS

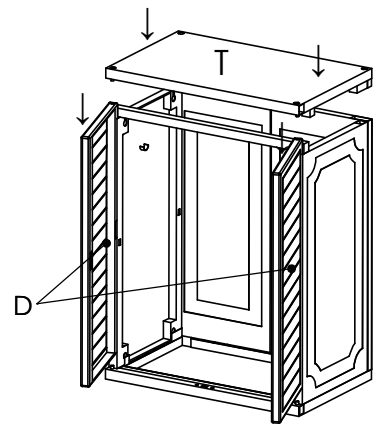
PARTS



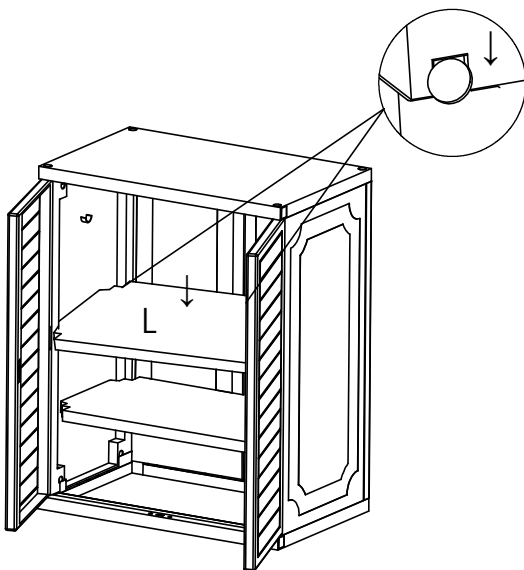
① Assemble ST follow by B



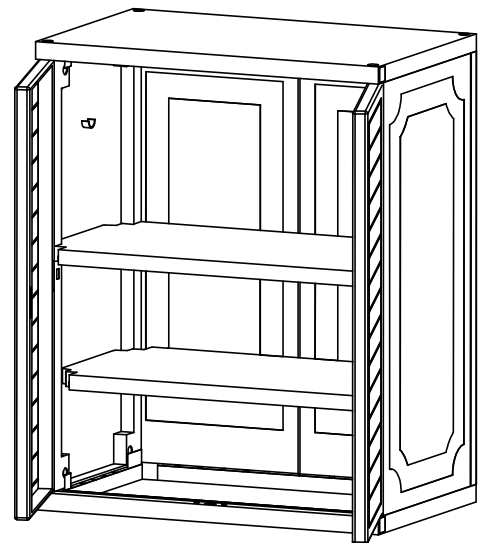
② Assemble S first follow by ST



③ Assemble D follow by T



④ Assemble L



Final Product