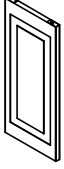
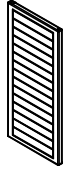
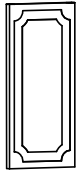

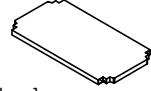
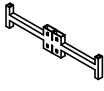
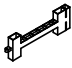

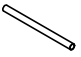
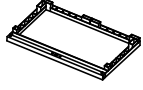
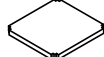






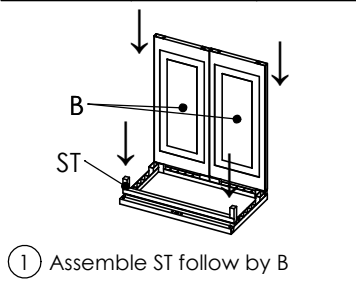


SPC - 12

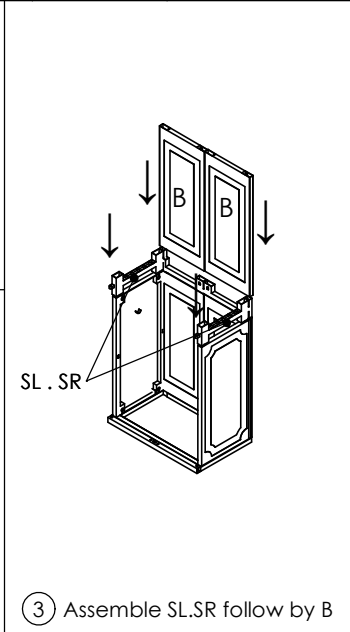
ASSEMBLY INSTRUCTIONS

PARTS

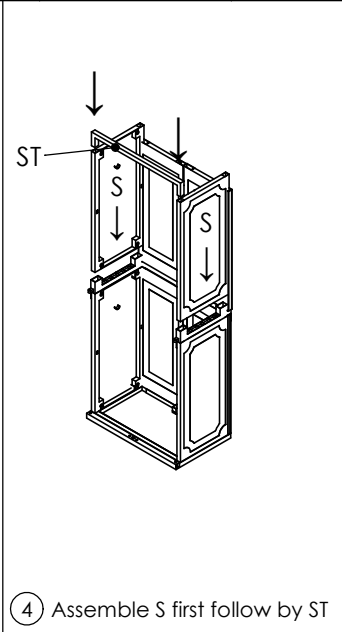
 B x 4	 D x 4	 S x 4	 M x 2	 L x 1	 BJ x 1	 SL . SR x 1	 DR x 1	 SP x 1
				 T x 2	 H x 3	 ST x 2	 DL x 1	 LM x 2
								 SM x 1



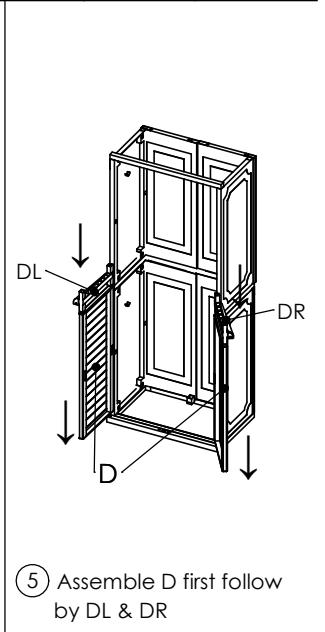
① Assemble ST follow by B



② Assemble S first follow by BJ

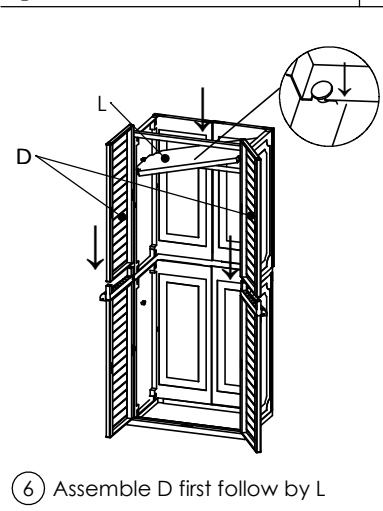


③ Assemble SL.SR follow by B

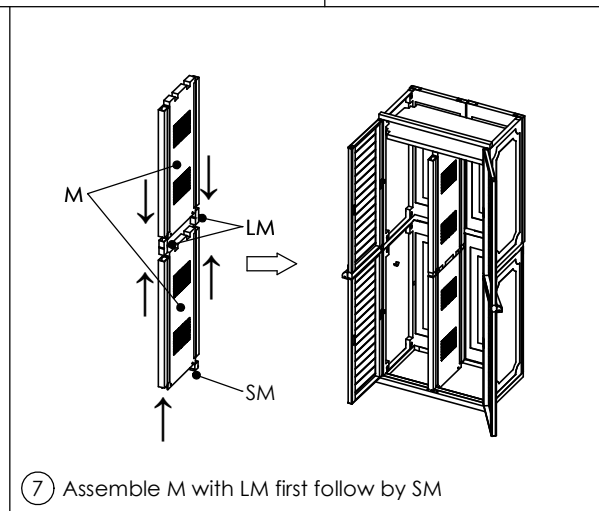


④ Assemble S first follow by ST

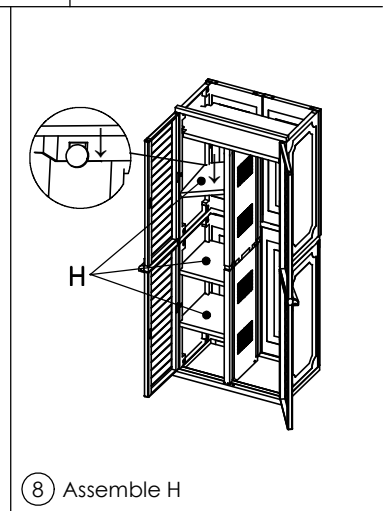
⑤ Assemble D first follow by DL & DR



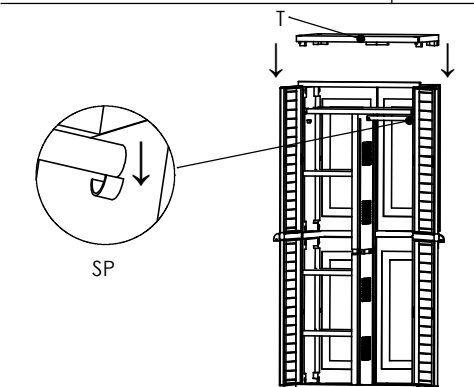
⑥ Assemble D first follow by L



⑦ Assemble M with LM first follow by SM



⑧ Assemble H



⑨ Assemble T follow by SP

Final Product

