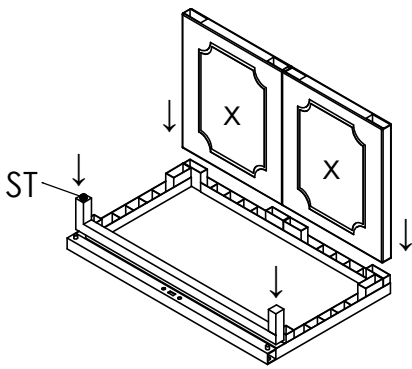
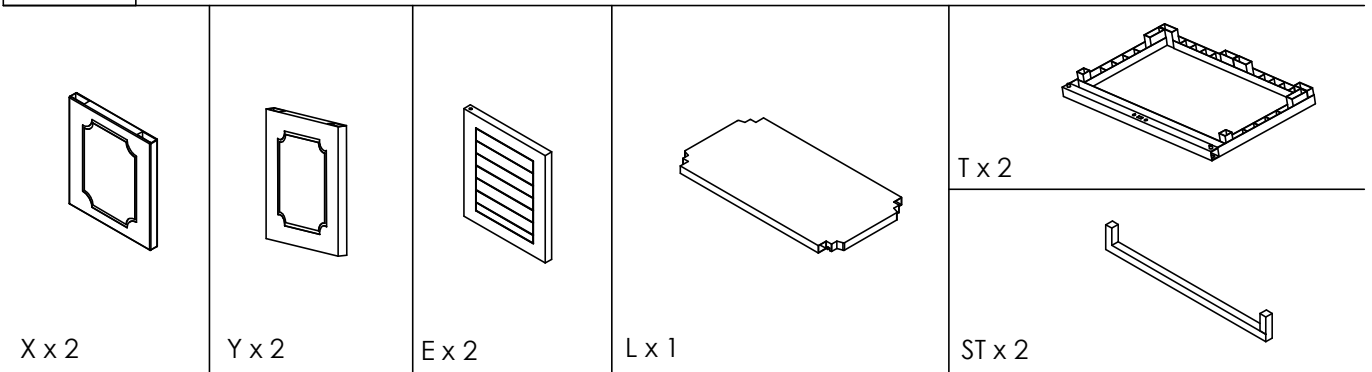
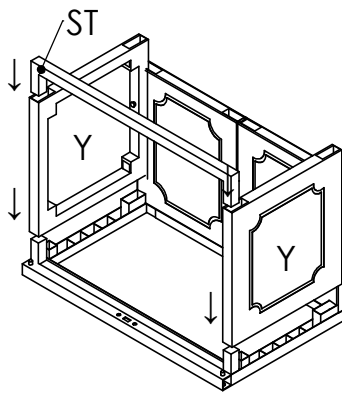


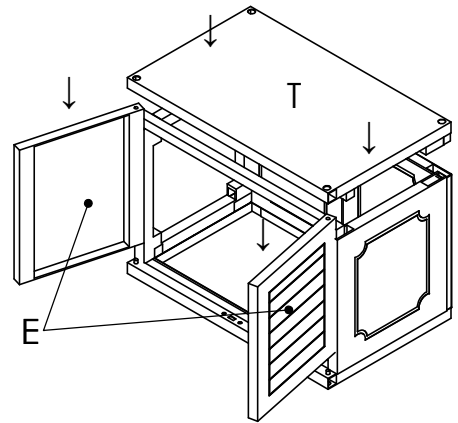
PARTS



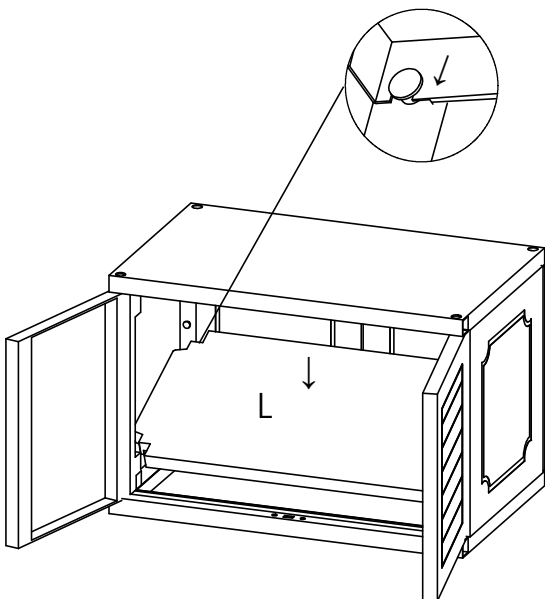
① Assemble ST follow by X



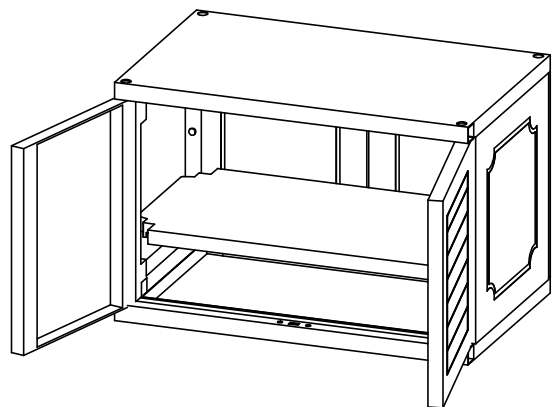
② Assemble Y first follow by ST



③ Assemble E follow by T



④ Assemble L



Final Product